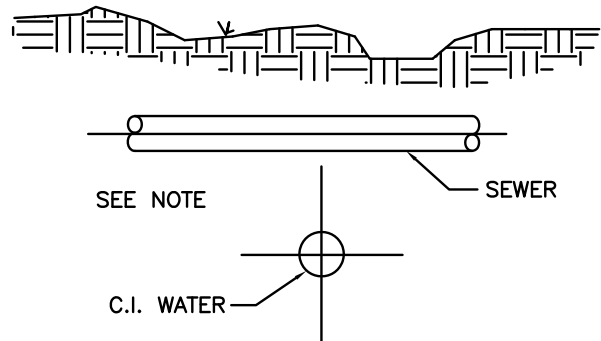
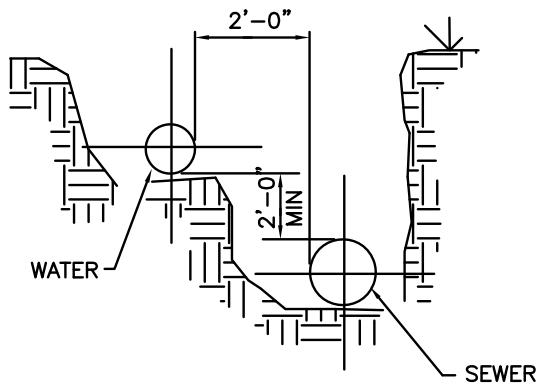
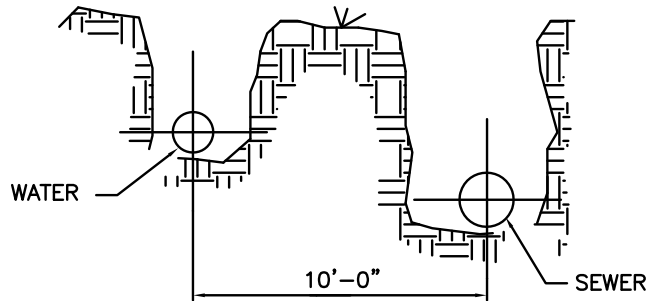
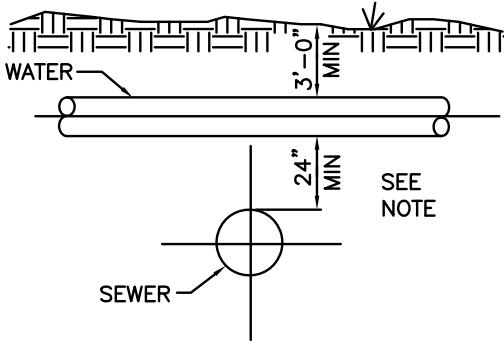
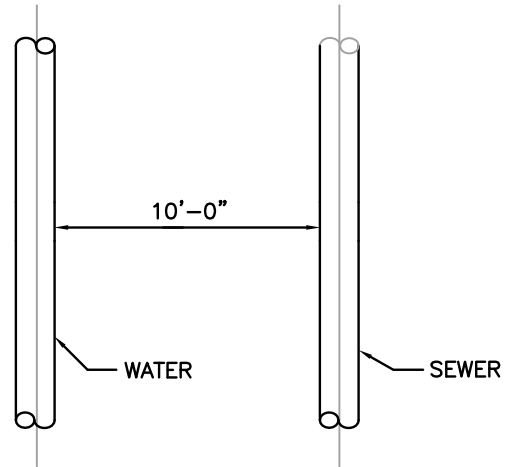
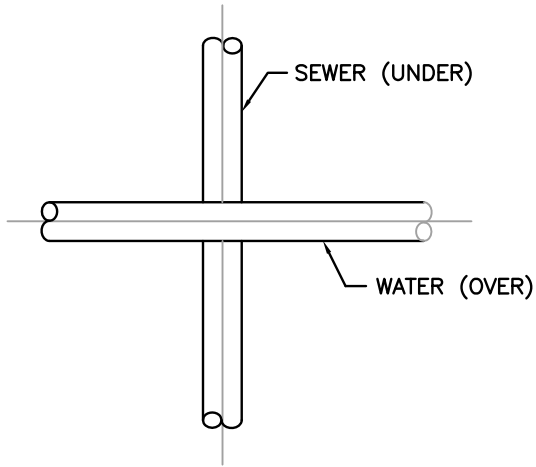



RELATION OF WATER MAINS
TO SEWER MAINS



NOTE:
 WHEN THE WATER MAIN IS ABOVE THE SEWER, BUT WITH LESS THAN 24" OF VERTICAL CLEARANCE, OR WHEN THE SEWER IS ABOVE THE WATER MAIN; BOTH THE WATER MAIN AND THE SEWER MAIN SHALL BE CONSTRUCTED OF 20 LINEAR FEET OF FERROUS MATERIALS LOCATED ON CENTER TO THE CROSSING WITH JOINTS EQUIVALENT TO WATER MAIN STANDARDS FOR A MINIMUM LATERAL DISTANCE OF 10 FEET TO EACH SIDE OF THE CROSSING, AS MEASURED AT RIGHT ANGLES TO THE SEWER CROSSING.
 FOR ALL WATER MAINS AT THE PIPE MATERIAL TRANSITIONS FROM C-900 PVC TO DUCTILE IRON (DI) PIPE, RESTRAINED MECHANICAL JOINT SLEEVES SHALL BE UTILIZED TO JOIN THE PIPES.

		CITY OF CONCORD STANDARD DETAIL RELATION OF WATER MAINS TO SEWER MAINS			
1.	3/4/16	By	WATER PIPE TRANSITION BY MJ SLEEVES BY MSH		
No.	Date	By	REVISION		
	Drawn By:	Checked By:	Approved By:	Date	Sht of
	SVM	GS	MSH	2/10	